

# 1121 - GY Flensafsluiter

## APPLICATION

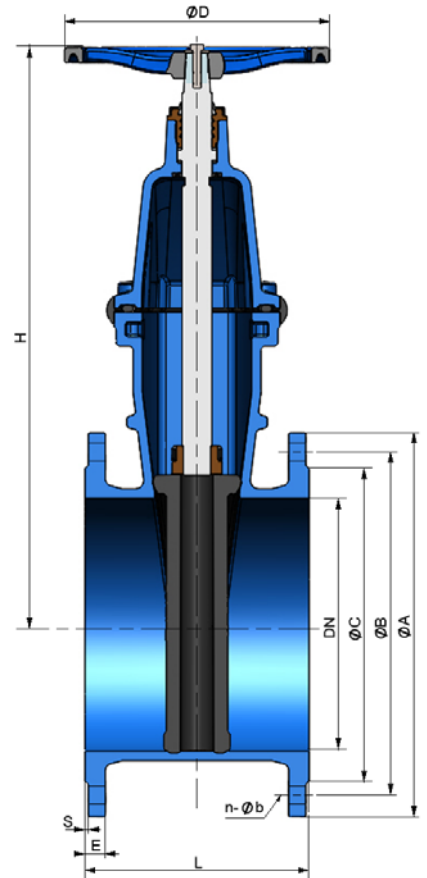
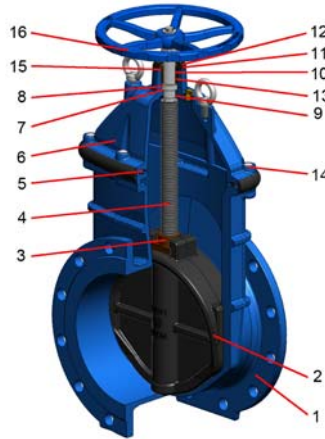
General use : Water supply, fire protection, irrigation, water treatment.

## GENERAL CHARACTERISTICS

Range : from DN40 to DN400. Elastomer protection of valve body against shock.  
Non rising stem.  
Clockwise to close.  
No zone of retention.  
Low head losses.

## CONSTRUCTION

16	1	Handwheel		
15	1	Screw	Stainless steel	
14	1	Bolt	Carbon steel	
13	1	Sealing nut	Brass	
12	1	Dust-proof sealing ring	NBR	
11	1	O ring	EPDM	
10	3	O ring	NBR	
9	1	O ring	EPDM	
8	1	Stem sealing gasket	PTFE	
7	2	O ring	EPDM	
6	1	Bonnet	Ductile iron	DIN: GGG 50 ASTM: A536 65-45-12 BS: 1563 EN-JS1050
5	1	Sealing gasket	EPDM	
4	1	Stem	Stainless steel 420	
3	1	Stem nut	Brass	
2	1	Wedge	EPDM coated ductile iron	DIN: GGG 50 ASTM: A536 65-45-12 BS: 1563 EN-JS1050
1	1	Body	Ductile iron	DIN: GGG 50 ASTM: A536 65-45-12 BS: 1563 EN-JS1050
<b>Pos.</b>	<b>Q-ty</b>	<b>Description</b>	<b>Material</b>	



## DIMENSIONS

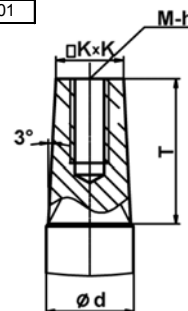
DN		L	H	ØD	ØA		ØB		ØC	E		S	n-Øb		Weight (kg)
mm	inch				PN10	PN16	PN10	PN16		PN10	PN16		PN10	PN16	
40	2"1/2	140	220	180	150	110	84	84	16	3	4 x Ø19	10			
50	2"	150	230	180	165	125	99	99	16	3	4 x Ø19	10,6			
60/65	2"1/4 / 2"1/2	170	265	200	185	135/145	118	118	16	3	4 x Ø19	12,5			
80	3"	180	290	200	200	160	132	132	16	3	8 x Ø19	13,8			
100	4"	190	335	250	220	180	156	156	16	3	8 x Ø19	18			
125	5"	200	380	250	250	210	184	184	16	3	8 x Ø19	22			
150	6"	210	415	300	285	240	211	211	16	3	8 x Ø23	31,9			
200	8"	230	510	300	340	295	266	266	17	3	8 x Ø23 / 12 x Ø23	54,5			
250	10"	250	600	350	400	350 / 355	319	319	19	3	12 x Ø23 / 12 x Ø28	75,5			
300	12"	270	690	350	455	400 / 410	370	370	20,5	4	12 x Ø23 / 12 x Ø28	110			
350	14"	290	790	400	505 / 520	460 / 470	429	429	22,5	4	16 x Ø23 / 16 x Ø28	158			
400	16"	310	855	400	565 / 580	515 / 525	480	480	24	4	16 x Ø28 / 16 x Ø31	201			

## WORKING CONDITIONS

Maximum working pressure : 16 bar. Maximum working temperature: 110°C

## STANDARDS

Face to face according to EN558-1 serie 14 and DIN 3202 / F4 Short pattern.  
Connection according to standard EN 1092-2 ISO PN10 and ISO PN16.



DN		Ød	K	M	h	T
mm	inch					
40	2"1/2	20	14,3	8	20	29
50	2"	20	14,3	8	20	29
60/65	2"1/4 / 2"1/2	24	17,3	10	20	33
80	3"	24	17,3	10	20	33
100	4"	28	19,3	10	20	38
125	5"	28	19,3	10	20	38
150	6"	28	19,3	10	20	38
200	8"	30	24,3	10	20	42
250	10"	36	27,3	12	25	47
300	12"	36	27,3	12	25	47
350	14"	38	27,3	12	25	47
400	16"	38	27,3	12	25	47